

AMERISINK

LAUNDRY SINK UNDERMOUNT STAINLESS STEEL SINK AS362

Features

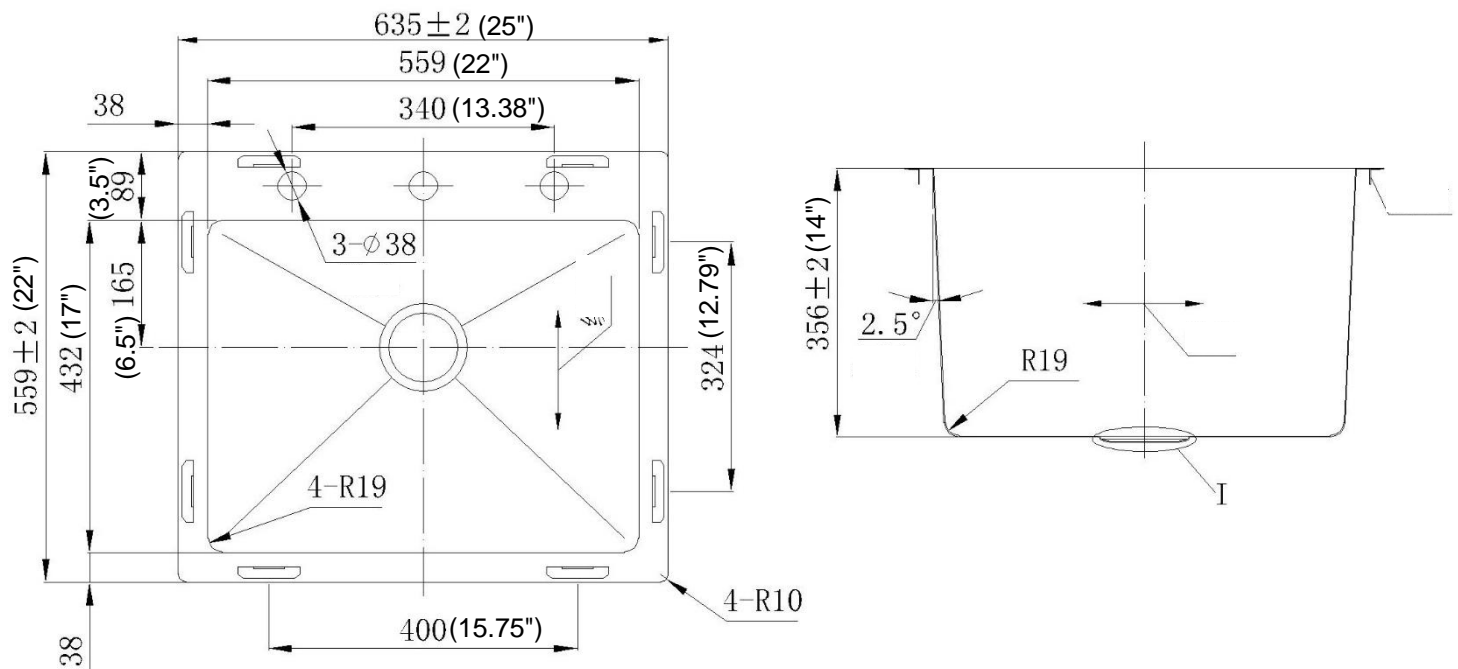
- 25" x 22" x 14"
- 18 gauge, 304 stainless steel
- Handcrafted
- Undermount sink
- Rear drain
- Easy-to-clean, brushed finish
- Includes template & installation hardware
- Spray insulated undercoating & sound pads
- Limited lifetime warranty



OPTIONAL ACCESSORY:
N/A

CODES:
ASME A112.19.3/CSA B45.4, cUPC

Product Diagram



1-877-500-SINK (7465)

WEST COAST WAREHOUSE: 510-667-9998  EAST COAST WAREHOUSE: 404-691-5088

WWW.AMERISINK.COM