

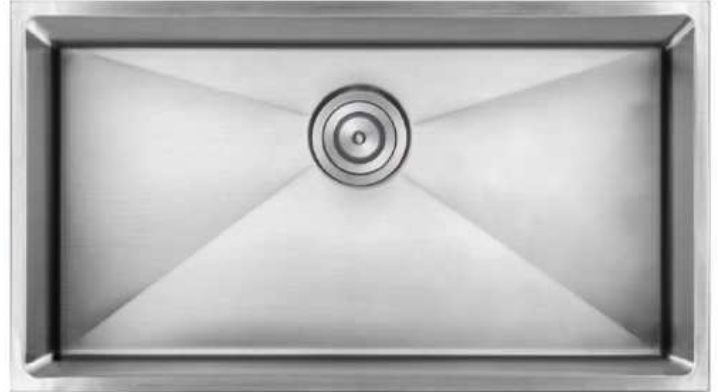


AMERISINK

LEGEND UNDERMOUNT STAINLESS STEEL SINK AS333

Features

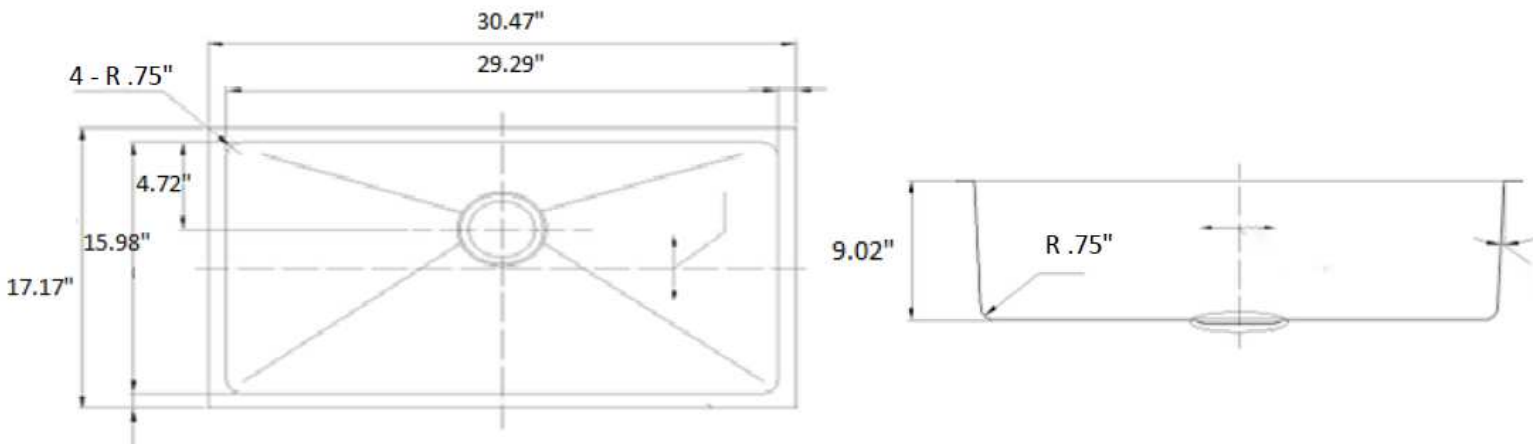
- 31" x 18" x 9"
- 18 gauge, 304 stainless steel
- Undermount sink
- Handcrafted
- Easy-to-clean, brushed finish
- Spray insulated undercoating & sound pads
- Includes template & installation hardware
- Limited lifetime warranty



OPTIONAL ACCESSORY:
BG 333 Bottom Grids

CODES:
ASME A112.19.3/CSA B45.4, cUPC

Product Diagram



Item No.	Description
02085	AMERISINK S/STEEL UNDER SQR 31X18 SINGLE (AS-333)