

# AMERISINK

GRANITE COMPOSITE

UNDERMOUNT GRANITE COMPOSITE SINKS

## AS615

### Features

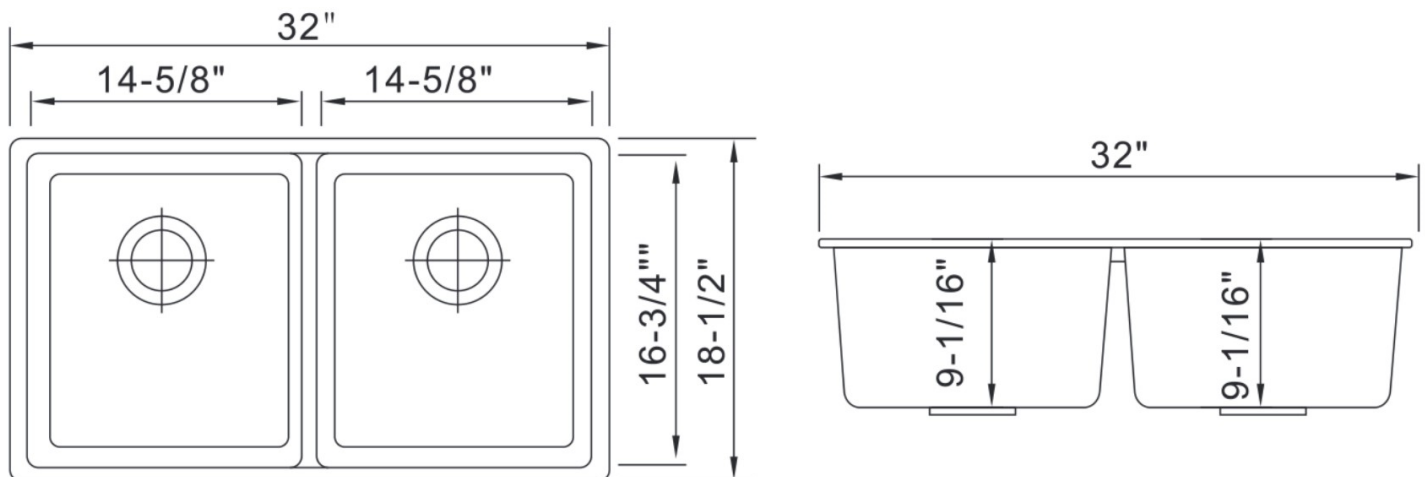
- 32" x 18.5" x 9"/9"
- Undermount sink
- Up to 85% Quartzite and up to 15% Acrylic
- Highly resistant to scratches, stains, and heat
- Acrylic natural sound dampener, 100% recyclable
- Easy maintenance
- All the way color through



### Color:

Cement, Coffee, Diamond White, Miro White and Pearl  
Black, Silver Grey

### Product Diagram



1-877-500-SINK (7465)

WEST COAST WAREHOUSE: 510-667-9998  EAST COAST WAREHOUSE: 404-691-5088

[WWW.AMERISINK.COM](http://WWW.AMERISINK.COM)