

AMERISINK

GRANITE COMPOSITE

UNDERMOUNT GRANITE COMPOSITE SINKS

AS614

Features

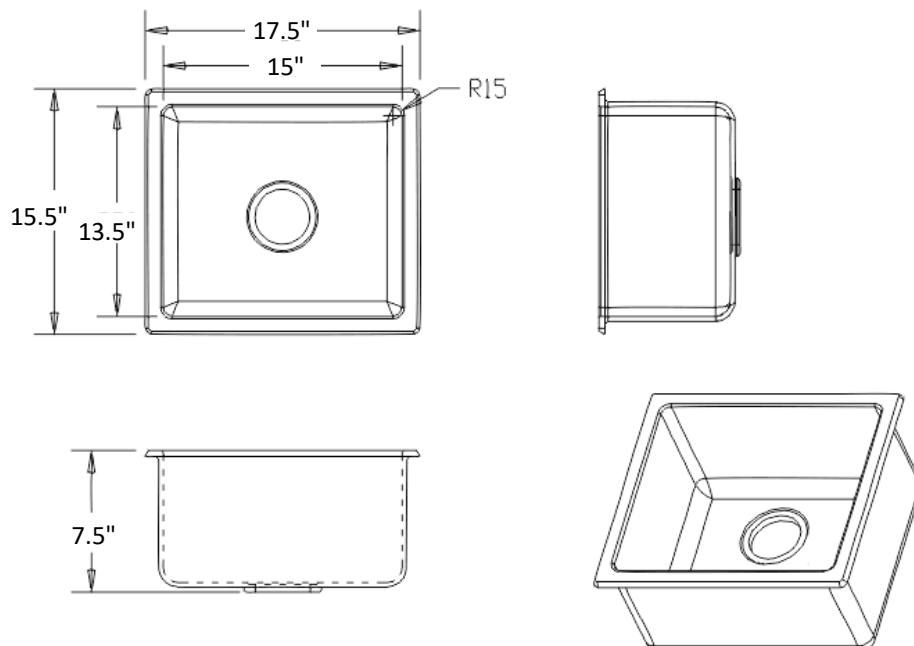
- 17.5" x 15.5" x 7.5"
- Undermount sink
- Up to 85% Quartzite and up to 15% Acrylic
- Highly resistant to scratches, stains, and heat
- Acrylic natural sound dampener, 100% recyclable
- Easy maintenance
- All the way color through



Color:

Cement, Coffee, Diamond White, and Pearl Black

Product Diagram



1-877-500-SINK (7465)

WEST COAST WAREHOUSE: 510-667-9998  EAST COAST WAREHOUSE: 404-691-5088

WWW.AMERISINK.COM