



## Artemis-II Two-Piece Elongated Toilet

Bowl A249L / Tank A249

Sku: 05473 Sku: 05475

### Product Description

The Artemis-II is the second generation elongated toilet from Royal Ceramics. This gravity feed toilet has an improved flushing system that comes with a 3" flush valve delivering 1.28 gallons per flush with unmatched efficiency. The streamline designed tank gives this traditional toilet an exceptional look at an affordable price.

### Features

- Porcelain ceramic vitreous china.
- Elongated toilet bowl with 12" rough-in.
- 3" flush valve and flapper
- 2-1/8" fully glazed trap-way.
- Streamline tank and cover complete with fittings, flush valve, ballcock, and chrome-plated trip lever assembly.
- Includes color-matched toilet bolt caps.
- Includes Wax Seal and Floor Fixing Screws.
- Available in white color only.



*Toilet seat sold separately*

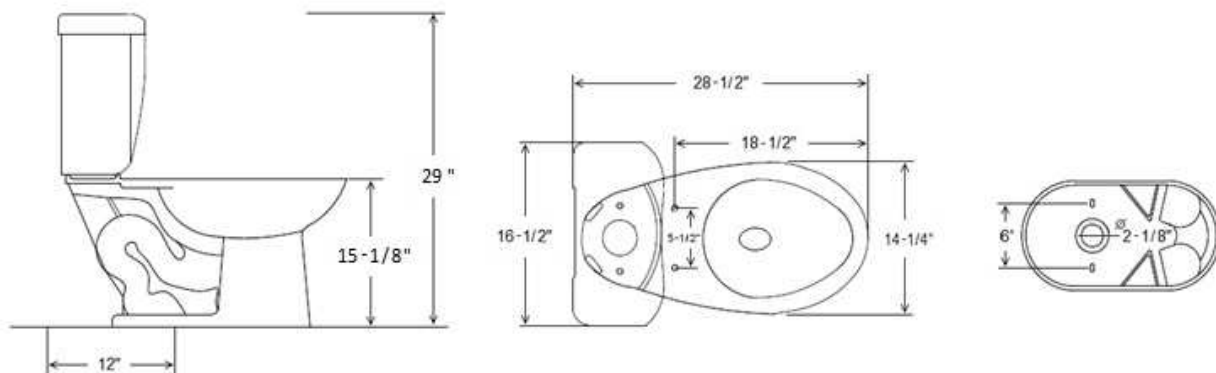
### Specifications

- Water Use: 1.28 GPF / 4.8 LPF
- Flush System: Gravity Feed
- Minimum Water Pressure: 8 psi
- Water Surface: 8" x 9-1/2"
- Trap Diameter: 2-1/8"
- Rough In: 12"
- Trap Seal: 2-1/4"
- Warranty: Five Year Limited Warranty



### Codes and Standards

- Meets and exceeds ASME A112.19.2/CSA B45.1
- Compliant with IAPMO (cUPC)
- Compliant with EPA Water Sense criteria
- Qualifies for points in the LEED Green Building Rating System



Royal Ceramics product specifications in U.S. customary units are approximate and are provided for reference only. Royal Ceramics reserves the right to change or modify product design, construction, specifications, or materials without prior notice and without incurring any obligation to make such changes and modifications on Royal Ceramics products previously or subsequently sold. Copyright © 2015