

BT500A/BT500B
Piedmont Bidet



BT500A - Piedmont Bidet, Deck Mount

- Contemporary, sleek design
- BT500A - For single hole, center set, deck mounted bidet faucet.
- BT500B- With flushing rim and vertical spray. Designed for deck mounted bidet faucet with diverter and vacuum breaker.
- Integral overflow
- Two bolt caps

Vitreous china bidet complete with mounting bolt caps.

■ **BT500A**

Bidet for single hole, center set, deck-mounted bidet faucet.

■ **BT500B**

Bidet with flushing rim and vertical spray. Designed for deck mounted bidet faucet with diverter and vacuum breaker.

Colors:

Standard #01 Cotton

Optional See price book for additional colors

Bidet Faucet Not Included



BT500B - Piedmont Bidet with vertical spray

Item No	Description
07649	TOTO BIDET PIEDMONT WHT BT500B-01
00215	TOTO BIDET PIEDMONT BONE BT500B-03
07640	TOTO BIDET PIEDMONT EURO WHT BT500AR-01
07644	TOTO BIDET PIEDMONT EURO BONE BT500AR-03

BT500A/BT500B Piedmont Bidet

DESIGN

Sleek, contemporary bidet with beautiful styling. Designed to coordinate with TOTO's many residential toilets and lavatories the Piedmont bidet complements any decor. Durable vitreous china offers years of quality use.

SPECIFICATIONS

Waste: 1-1/4" O.D.
 Size: 24-7/8"L x 14"W
 Height: 15"
 Faucet: BT500A - For single hole, center set, deck mounted bidet faucet
 BT500B - With flushing rim and vertical spray. Designed for deck mounted bidet faucet with diverter and vacuum breaker.
 Warranty: Five Year Limited Warranty
 Material: Vitreous China
 Shipping Weight: BT500A/BT500B
 38.7 lbs.

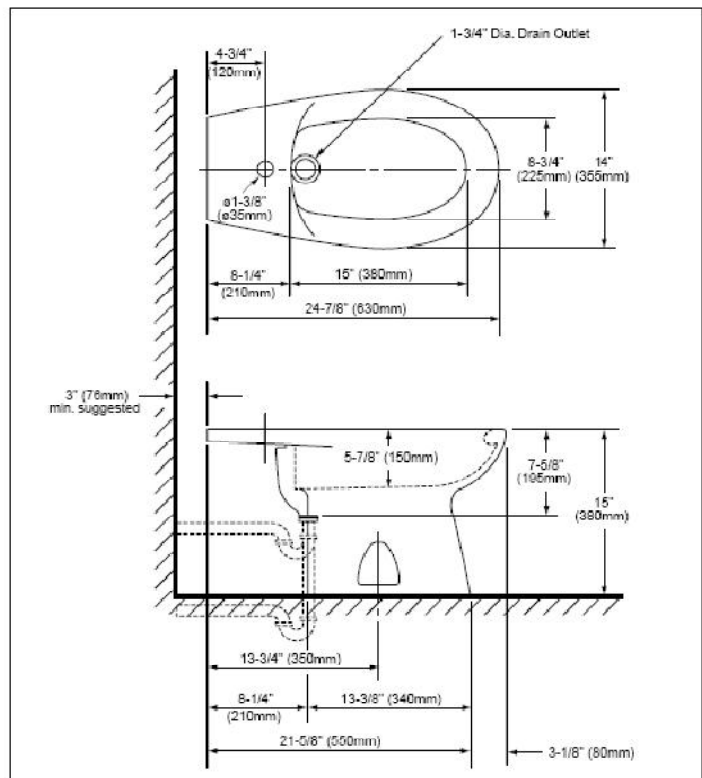
Shipping Dimensions:

BT500A/BT500B
 28"L x 16-1/2"W x 16-7/8"H

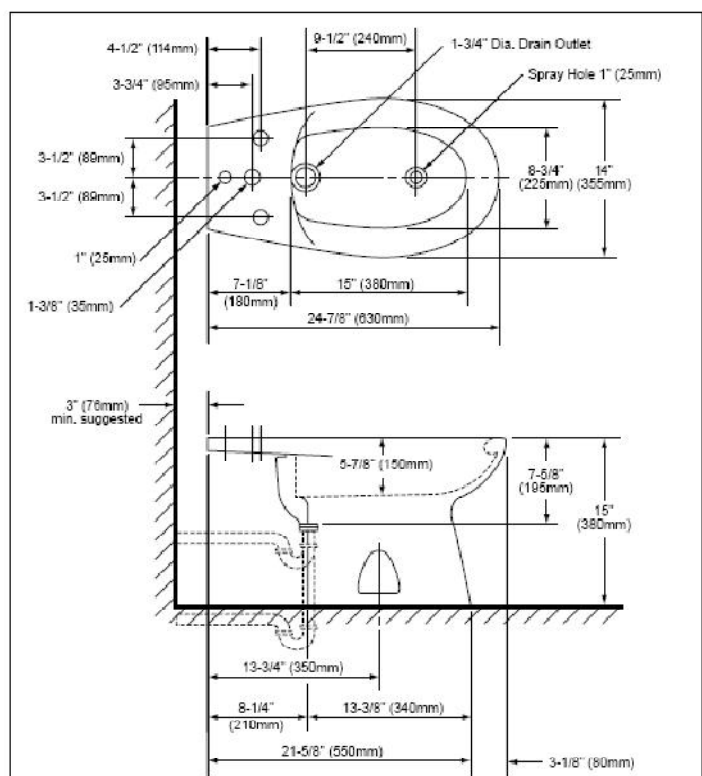
Fixture dimensions and hydraulic performance meet or exceed ANSI/ASME standard A112.19.2M and CAN/CSA B 45 requirements.

Listing / Approvals: IAPMO/UPC, CSA, City of Los Angeles, State of Massachusetts, and others.

These dimensions and specifications are subject to change without notice.



BT500A - Piedmont Bidet



BT500B - Piedmont Bidet

TOTO®
 Perfection by Design