



ALTEK SINK CO.

Undermount Double Bowl Stainless Steel Sink

Model No.: 502

EST Sku No.: 08347

DESCRIPTION

Undermount Double Bowl

Overall Size: 32-1/4" x 18", 8" Deep

820mm x 460mm, 200mm Deep

FEATURES

T-304 stainless steel, Both bowl are the same size

StoneGuard Undercoated over rubber pad

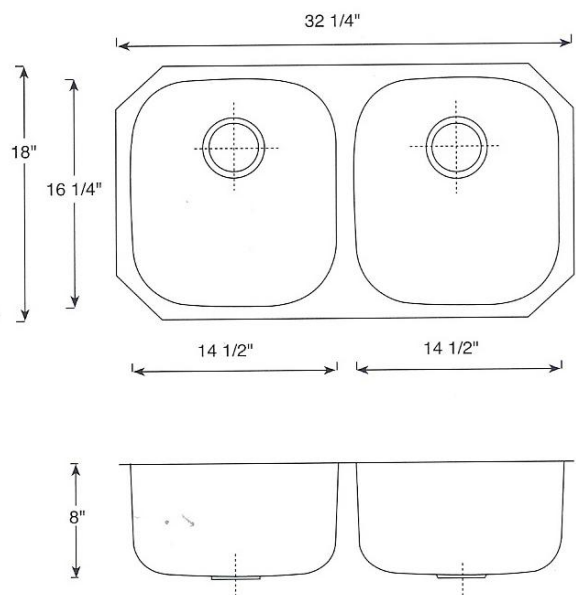
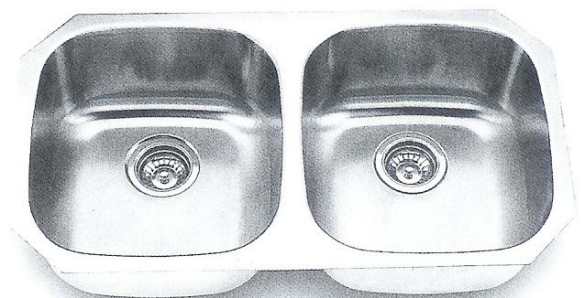
Offset drain, 3-1/2" (114mm) drain opening

INSTALLATION

Undercounter instalation

Supplied with cutout template, fasteners

MODEL SPECIFICATIONS



| EST Sku No | Overall Dimension | Each bowl | Cutout Size | Finish | Thickness |
|------------|--|-------------------|--------------|-----------|-----------|
| 08347 | 32-1/4" x 18", 8" 820mm x 460mm, 200mm | 16-1/4" x 14-1/2" | See Template | All Satin | 18 gauge |



EST HARDWARE
KITCHEN • BATH • PLUMBING